



THE LEADER IN FIRE PROTECTION

Lifeco



Fire Dept. Connection

Product description

Model FDCA (straight pattern) Fire Dept Connections with single clapper $4 \times 2\frac{1}{2}'' \times 2\frac{1}{2}''$ siamese type. The clapper design allows for one or both inlets to be pressurised during operation and provide supplementary water supply connection for automatic sprinkler systems as per NFPA13. The words "AUTO SPKR" and "F.D.Conn" are cast in raised letters.

Wall Plates

The wall plates are constructed of corrosion resistant aluminium alloy with marking "AUTO SPKR" and "FIRE DEPT CONNECTION".

Optional: Cast brass plate available upon request.

Approvals: UL



Caps

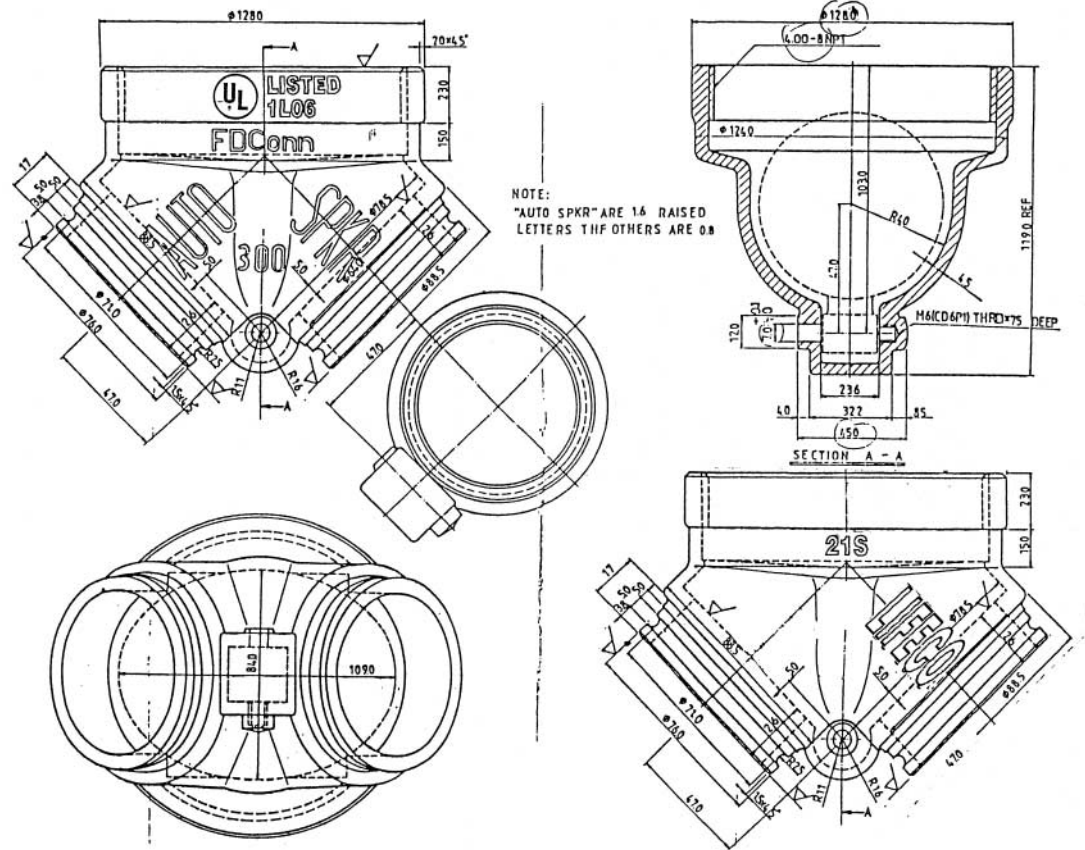
The breakaway caps are supplied in heavy duty plastic or cast aluminium alloy for the protection of $2\frac{1}{2}''$ inlets.

Optional: $2\frac{1}{2}''$ Brass Coupling (male) with chain available upon request.





Fire Dept. Connection



Technical data

Size Outlet 4"(102mm)NPT Female

Inlet 2 1/2"(64mm)NST Male

Maximum working pressure: 300psi

Test pressure: 600psi

Standard Finish

FDC-Rough brass

Wall plates-red enamel paint with raised letters painted white

Caps-red plastic or red enamel paint

Material Rough Brass C85700 for FDC

Optional

Chrome finish available upon request.

Lichfield Fire & Safety Equipment Co. Ltd

Unit 43 S, Siddons Factory Estate
Howard Street, Hilltop
West Bromwich, B70 0SU
United Kingdom.

Tel: +44 (0) 121 556 3084
Fax: + 44 (0) 121 556 2758
E-Mail: info@lifeco-uk.com
Website: www.lifeco-uk.com

