



THE LEADER IN FIRE PROTECTION

Lifeco

Concealed Sprinkler Head

Product description

Model CSH4 adjustable concealed sprinklers are standard spray sprinklers using a 5mm glass bulb that allow over $\frac{1}{2}$ "(12.7mm) of adjustment with an aesthetical pleasing cover plate design. These sprinklers are perfect for applications in light or ordinary hazards.

Operation

The operating mechanism consists of a liquid filled 5mm frangible capsule. Sprinklers absorb heat through the ceiling cover plate which is soldered to the adjustable retainer ring with a fusible alloy. At the rated temperature, the alloy fuses, resulting the plate dropping away from the sprinkler. At this point the deflector drops down below the ceiling exposing the glass bulb to the fires heat resulting the bulb burst to allow the water flow.



Finishes

White



Standard

Chrome



Standard

Bright Brass



Standard

Brushed Chrome



Optional

Black



Optional

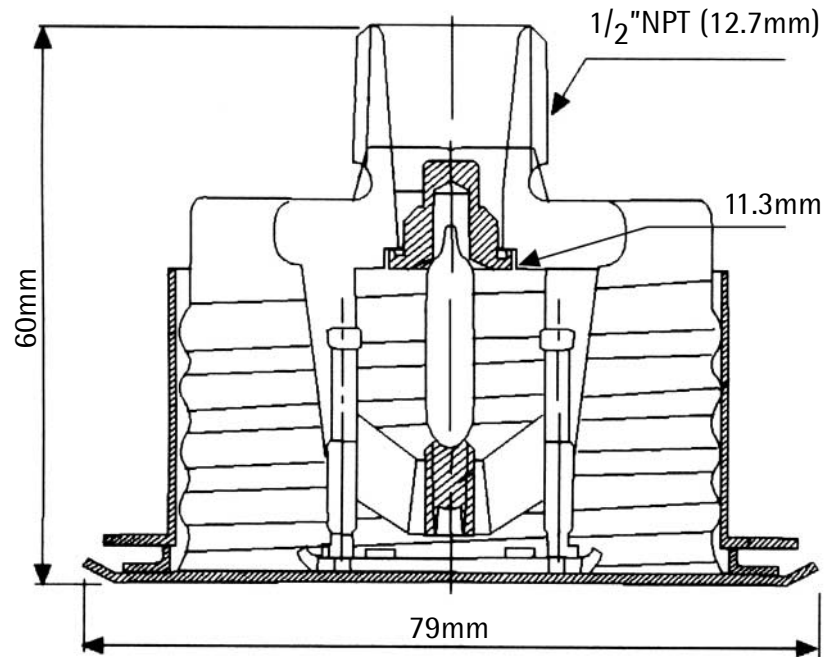
Bright White



Optional



Concealed Sprinkler Head



Technical data

Style:	Concealed type
Orifice size:	11.3mm
K- factor:	5.6
Thread size:	1/2" NPT (12.7mm)
Temperature rating:	155° F/68°C Sprinkler with 135° F/57°C Cover plate 200° F/93.3°C Sprinkler with 165° F/79°C Cover plate

Maximum working pressure: 175psi (12.1 Bar)

Finishes

Sprinkler:	Brass
Cover plate Standard:	Chrome, White, Bright Brass
Optional:	Brushed Chrome, Black, Bright White

Lichfield Fire & Safety
Equipment Co. Ltd
Unit 43 S, Siddons Factory Estate
Howard Street, Hilltop
West Bromwich, B70 0SU
United Kingdom.

Tel: +44 (0) 121 556 3084
Fax: + 44 (0) 121 556 2758
E-Mail: info@lifeco-uk.com
Website: www.lifeco-uk.com

