



THE LEADER IN FIRE PROTECTION

# Lifeco



## Angle Hose Valve

### Product description

Angle hose valve manufactured in accordance with UL668 Hose valve fire protection service is used as fire dept. outlet or with a hose rack assembly.

Available in size 1 $\frac{1}{2}$ " & 2 $\frac{1}{2}$ "

### Optional Finishes

Polished Brass

Royal Chrome Plated

Polished Chrome Plated

Approvals: UL



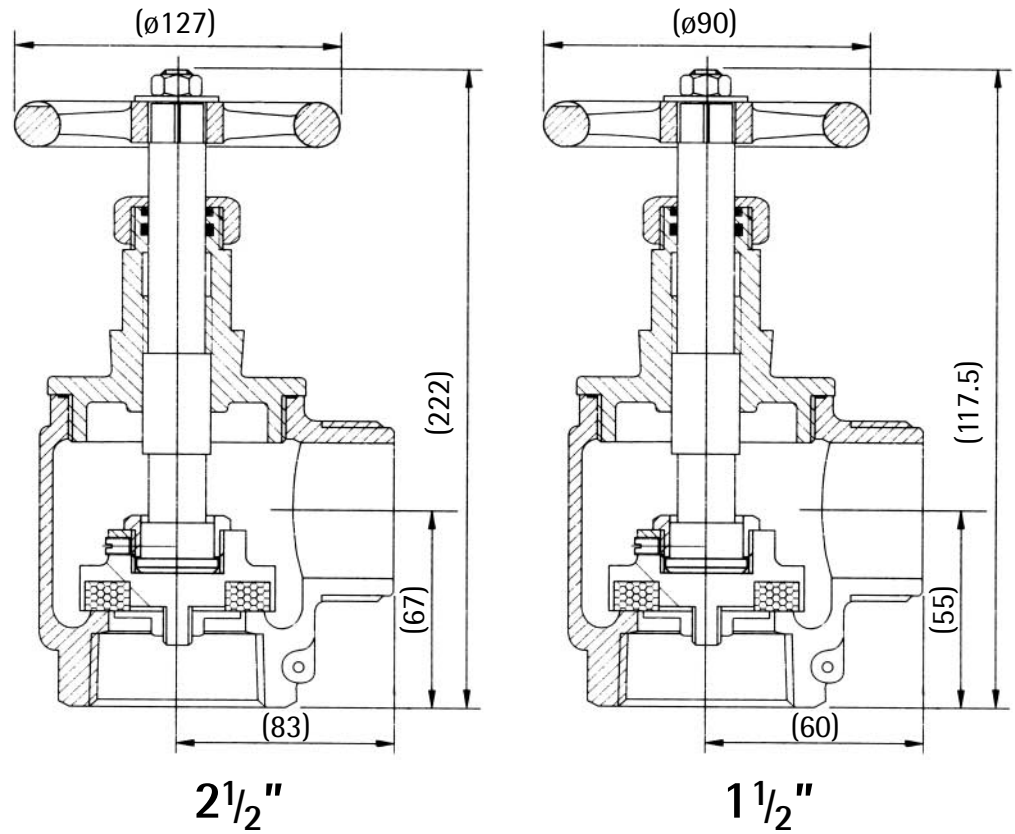
## Cap & Chain

### Optional

To cover and protect male/female outlet threads on valves and hydrants. Prevents entry of foreign matter. Available upon request.



# Angle Hose Valve



## Technical data

Material body cast brass ASTM B584 C85700, Hand wheel ductile iron ASTM A536 60-40-18.

Rated pressure 300 psi  
Test pressure 600 psi

Available in size 1 1/2" & 2 1/2"

Angle Valve 1 1/2" Model AH15 NPT thread Female inlet with 1 1/2" NPT Female thread outlet

Angle Valve 1 1/2" Model AH20 NPT thread Female inlet with 1 1/2" NST Male thread outlet

Angle Valve 2 1/2" Model AH25 NPT thread Female inlet with 2 1/2" NPT Female thread outlet

Angle Valve 2 1/2" Model AH30 NPT thread Female inlet with 2 1/2" NST Male thread outlet

**Lichfield Fire & Safety  
Equipment Co. Ltd**  
Unit 43 S, Siddons Factory Estate  
Howard Street, Hilltop  
West Bromwich, B70 0SU  
United Kingdom.

Tel: +44 (0) 121 556 3084  
Fax: + 44 (0) 121 556 2758  
E-Mail: [info@lifeco-uk.com](mailto:info@lifeco-uk.com)  
Website: [www.lifeco-uk.com](http://www.lifeco-uk.com)

	1 1/2"	2 1/2"
<b>A</b>	1 35/64"	2 7/32"
<b>B</b>	1 15/64"	1 35/64"

