



UL/FM

Lifeco



Gate Valve 2 1/2" to 10" Resilient Wedge Non-Rising Stem W.P 200Psi

Model 721 U

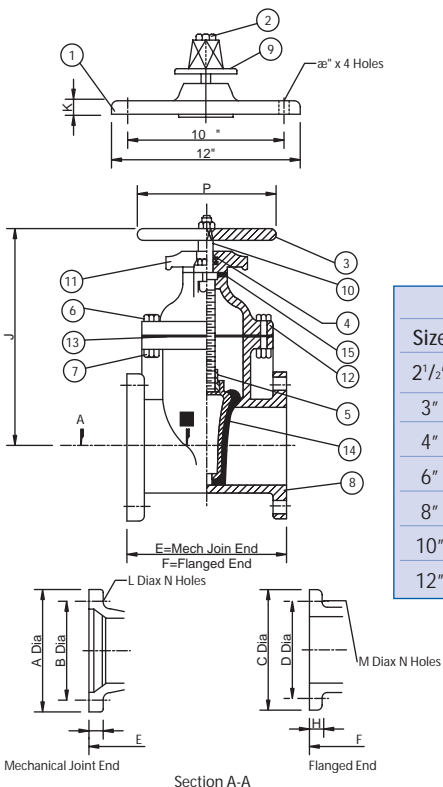
FEATURES

- Manufactured according to AWWA C509.
- O-ring Stem Seals.
- Painted as standard.
- Epoxy coated inside and out to AWWA C550 upon request.
- Mechanical joint ends (Model 721 UM) to AWWA C111 & ANSI A21.11
- Flanged ends (Model 721UF) to ANSI B 16.1 Class 125
- Working pressure:
 - 2 1/2" - 12": 200 psi non-shock cold water
 - Option : Stem available in Bronze (B62) or Stainless steel (304)

Note : Flanged End – Model 721-UF

Mechanical Joint End – Model 721-UM

No.	Part	Material	Standard
1	Ind. Post Flange	Cast Iron	ASTM A126 Class B
2	Nut	Steel	ASTM A307-B
3	Hand Wheel	Cast Iron	ASTM A126 Class B
4	"O" Ring	EPDM	Commercial
5	Disc Nut	Cast Bronze	ASTM B-62
6	Bolt	Steel	ASTM A307-B
7	Nut	Steel	ASTM A307-B
8	Body	Cast Iron	ASTM A126 Class B
9	Operating Nut	Cast Iron	ASTM A126 Class B
10	Stem	Brass	ASTM B-16
11	Stuffing Box	Cast Iron	ASTM A126 Class B
12	Bonnet	Cast Iron	ASTM A126 Class B
13	Rubber Gasket	EPDM	Commercial
14	Disc	Cast Iron EPDM	ASTM A126 Class B (Commercial)
15	"O" Ring	EPDM	Commercial



Size	Dimensions (mm)													Approx Net Wt. (Lbs.)	
	A	B	C	D	E	F	G	H	J	K	LxN	MxN	P	721-UF	721-UM
2 1/2"	-	-	178	140	352	191	-	18	254	-	-	19	178	42	-
3"	195	157	191	152	241	203	24	19	353	17	19	19	203	77	90
4"	232	191	229	191	279	229	25	24	363	17	23	19	254	104	122
6"	282	241	279	241	305	267	27	25	465	19	23	22	305	182	207
8"	340	298	343	279	318	292	28	29	551	19	23	22	356	246	295
10"	397	356	406	363	362	330	30	30	650	21	23	25	406	436	498
12"	454	412	482	432	422	356	32	32	740	23	23	25	457	512	535

Lichfield Fire & Safety Equipment Co. Ltd

Suite 4, 2nd floor, Saturn Centre
Spring Road, Ettingshall
Wolverhampton WV4 6JX
United Kingdom.

Tel: +44 (0) 870 066 4401
Fax: +44 (0) 870 066 4402
E-Mail: info@lifeco-uk.com
Website: www.lifeco-uk.com

