



UL/FM

Lifeco



Gate Valve 2" to 12" OS & Y Iron Body Solid Wedge W.P 175Psi

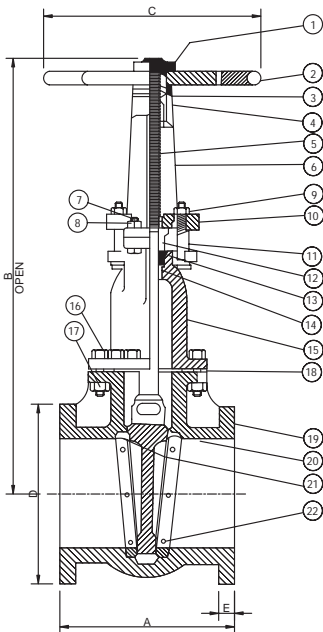
Model 762 U

FEATURES

- Flanged End to the American National Standard
- 175 psi Working Pressure-350 psi Test Pressure
- Sizes: 2", 2 1/2", 3", 4", 6", 8", 10" & 12".

Size	Dimensions (mm)					Wt
	A	B	T	H	D	Kg
2"	178	375	178	152	16	17.00
2 1/2"	191	422	178	178	17	22.00
3"	203	452	203	191	19	27.40
4"	229	564	254	229	24	46.80
6"	267	781	305	279	25	84.60
8"	292	930	356	343	29	135.50
10"	330	1184	406	406	30	201.00
12"	356	1391	483	483	32	286.00

No.	Part	Material	Standard
1	Hand Wheel	Ductile Iron	ASTM A536
2	Hand Wheel	Cast Iron	ASTM A126 Class B
3	Yoke Sleeve Nut	Cast Iron	ASTM A126 Class B
4	Yoke Sleeve	Cast Bronze	ASTM B-62
5	Stem	Brass	ASTM B-16
6	Yoke	Cast Iron	ASTM A126 Class B
7	Yoke Bolt	Steel	ASTM A307-B
8	Yoke Bolt Nut	Steel	ASTM A307-B
9	Packing Gland Nut	Brass	ASTM B-16
10	Packing Gland Flange	Ductile Iron	ASTM A536
11	Packing Gland Bolt	Steel	ASTM A307-B
12	Packing Gland	Cast Bronze	ASTM B-62
13	Packing	Non-Asbestos	Commercial
14	Backseat Bushing	Cast Bronze	ASTM B-62
15	Bonnet	Cast Iron	ASTM A126 Class B
16	Bonnet Bolt	Steel	ASTM A307-B
17	Bonnet Bolt Nut	Steel	ASTM A307-B
18	Bonnet Gasket	Non-Asbestos	Commercial
19	Body	Cast Iron	ASTM A126 Class B
20	Disc	Cast Iron	ASTM A126 Class B
21	Body Seat Ring	Cast Bronze	ASTM B-62
22	Disc Seat Ring	Cast Bronze	ASTM B-62



Lichfield Fire & Safety
Equipment Co. Ltd

Suite 4, 2nd floor, Saturn Centre
Spring Road, Ettingshall
Wolverhampton WV4 6JX
United Kingdom.

Tel: +44 (0) 870 066 4401
Fax: +44 (0) 870 066 4402
E-Mail: info@lifeco-uk.com
Website: www.lifeco-uk.com

