

Application Data

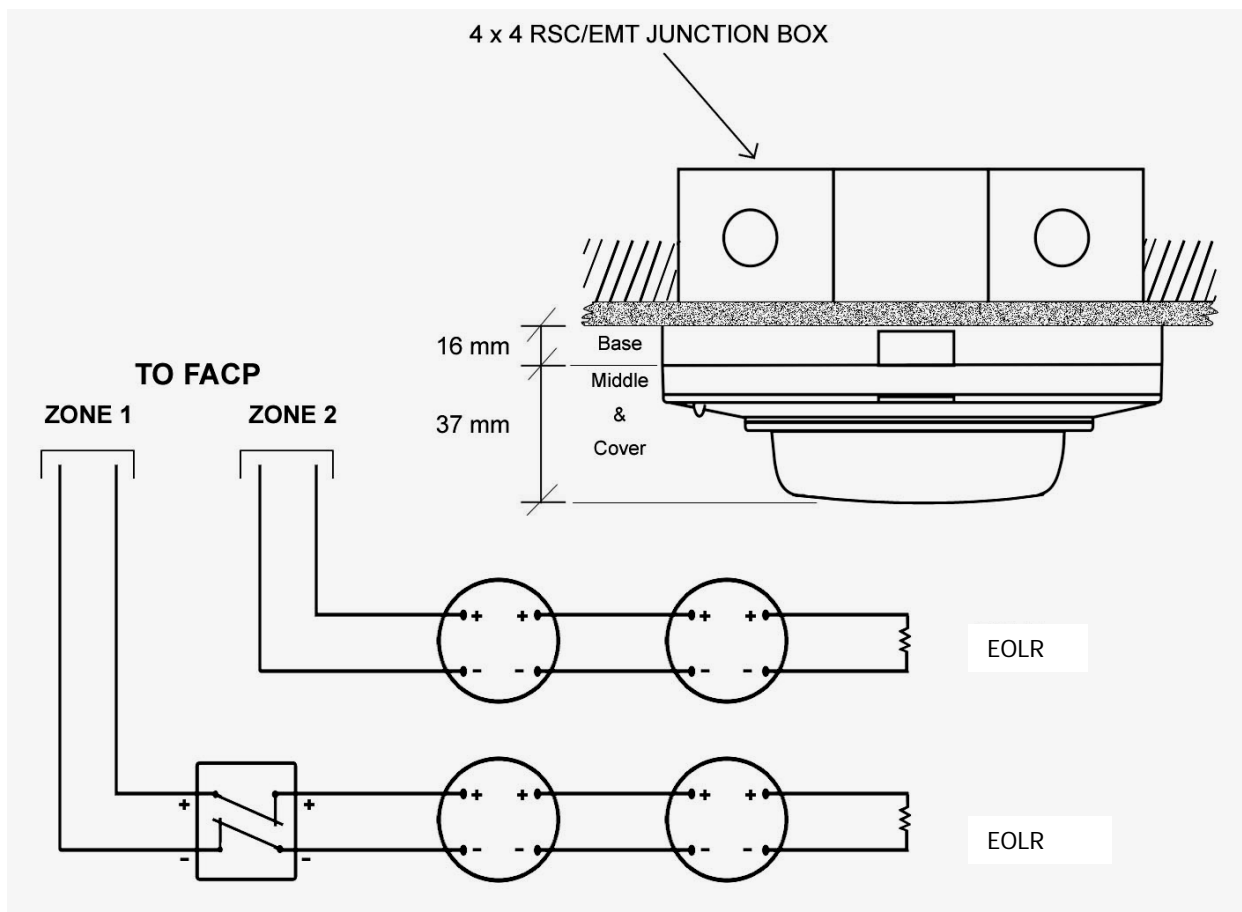
Nominal spacing between the heat detectors is 6m to 15m. The designer has to consider the ceiling structure (construction) and height to choose the correct detector spacing. A good reference to the international standards and codes is essential for this.

The heat detector is not a life safety device. It is suitable for the area where the particles of combustion are present during normal operations.

These devices will not operate without electric power.

Installation

The LFHD 60 rate of rise heat detector can be mounted on a standard 4" x 4" standard square metal box (of minimum depth 1½"). For typical wiring please refer the drawing given below.



M/S Lichfield Fire & Safety Equipment Co. Ltd

Saturn Centre, 2nd Floor, Suite 4, Spring Road, Ettingshall, Wolver Hampton WV4 6JX, United Kingdom.

Te I: + 44 (0) 870 066 44 01 Fax: + 44 (0) 870 066 44 02 E-mail: info@lifeco-uk.com, www.lifeco-uk.com