

Butterfly Valve With Builtin Supervisory Switch & Indicator

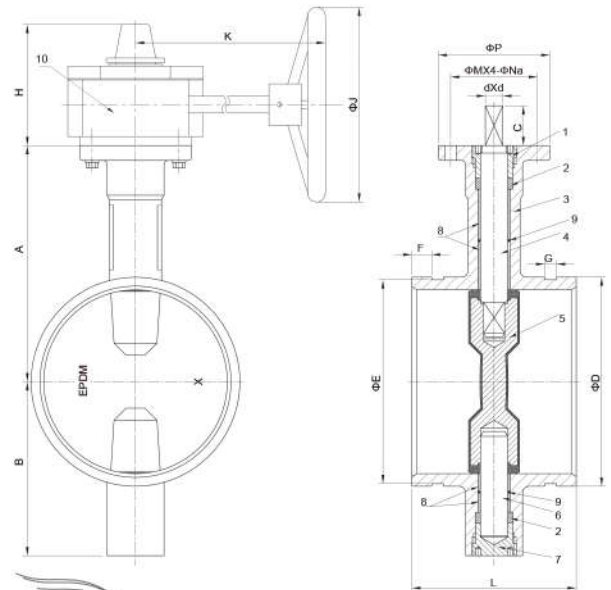
Technical Features

- Conforms: ANSI / AWWA C606.
- Connection: Grooved End.
- Sizes: 2", 2½", 3", 4", 5", 6", 8", 10", 12".
- Approvals: UL, FM.
- Maximum Working Pressure: 300 PSI (Maximum Testing Pressure: 600 PSI) conforms to UL1091 & FM 1112.
- Maximum Working Temperature: 80°C / 176°F.
- Application: Indoor & Outdoor Use.
- Coating Details: Epoxy coated interior and exterior by Electrostatic Spray.
- Disc: Ductile Iron EPDM Rubber Encapsulated.



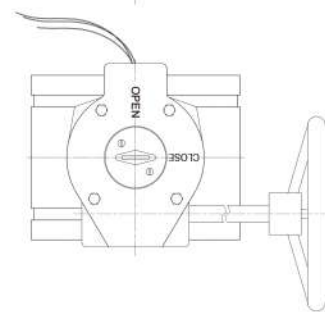
Valve Material List

Size	Description of Parts	Materials
1	Description	Material
2	Upper Shaft Sealing Nut	WCB
3	Shaft Seal	EPDM
4	Body	Ductile Iron
5	Upper Shaft	416 Stainless Steel
6	Disc+Rubber Seat	Ductile Iron+EPDM
7	Lower Shaft	416 Stainless Steel
8	Lower Shaft Sealing Nut	WCB
9	Stem Bushing	PTFE / C95400
10	O-Ring	EPDM
	Gearbox	

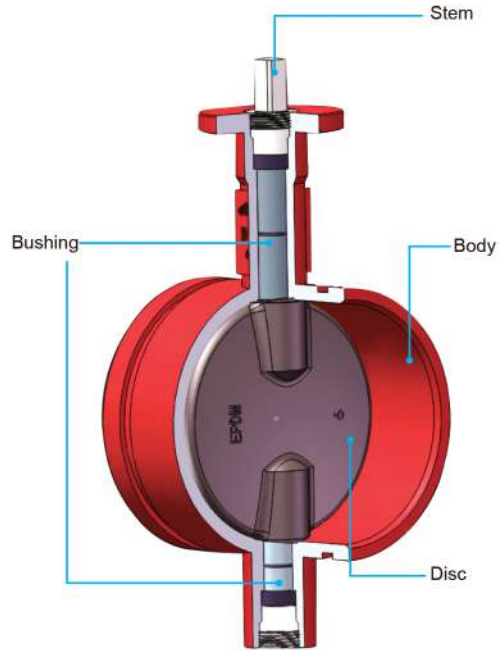
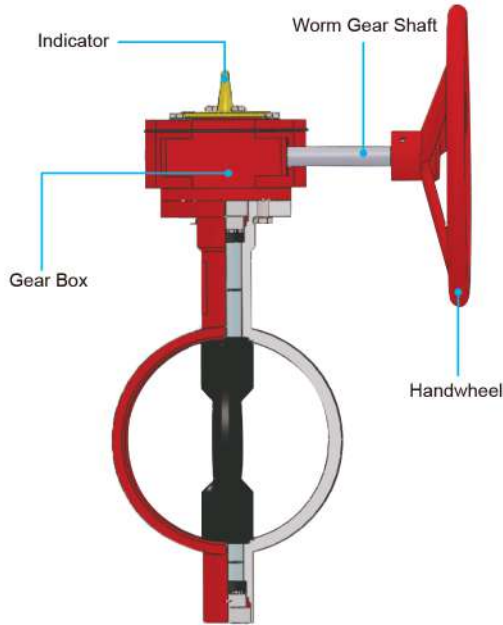


Dimensions

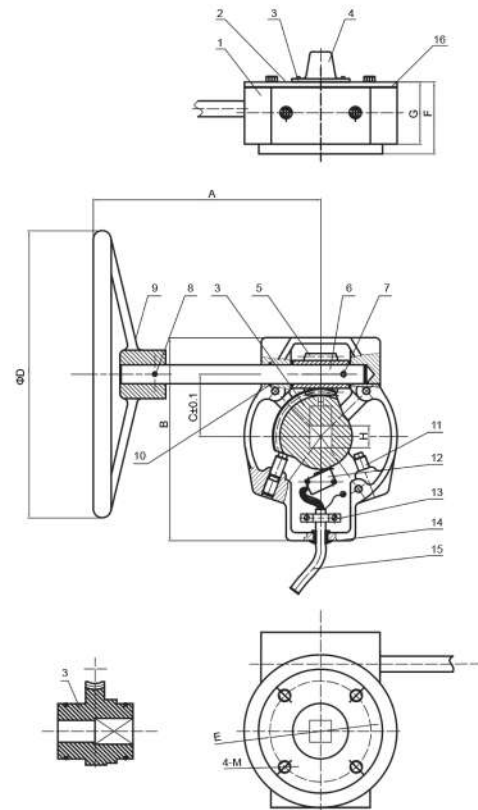
Size	A	B	C	D	E	F	G	H	K	J	P	M	N	d	L	
2"	110	85	32	60.3	57.15	15.9	7.9	111	153	218	152	90	70	9	10	81 88
2½"	125	95	32	73 76.1	69.1 72.3	15.9	7.9	111	153	218	152	90	70	9	10	96.4
3"	140	100	32	88.9	84.9	15.9	7.9	111	153	218	152	90	70	9	11	97
4"	160	100	32	114.3	110.1	15.9	9.5	111	153	218	152	90	70	9	14	115.1
5"	170	125	32	139.7 141.3	135.5 137	15.9	9.5	111	153	218	152	90	70	9	14	132.4 148
6"	190	140	32	165.1 168.3	160.9 164	15.9	9.5	111	153	218	200	90	70	9	16	132.4 148
8"	230	175	32	219.1 216.3	214.4 211.6	19	11.1	126	210	232	300	125	102	12	19	133 147.4
10"	260	200	45	267.4 273	262.6 268.3	19	12.7	126	210	232	300	125	102	12	24	159
12"	300	240	45	318.5 323.8	312.9 318.3	19	12.7	161	249	350	150	125	14	26	165	



3D Pictures



Gear Box Drawing



Gearbox Material List

Size	Description	Materials
1	Gear Body	Ductile Iron
2	Gear Cover	Ductile Iron
3	Worm Wheel	Ductile Iron
4	Indicator	Ductile Iron
5	Worm	Steel
6	Handwheel Shaft	Steel
7	Pin	416 Stainless Steel
8	Pin	416 Stainless Steel
9	Handwheel	Ductile Iron
10	O-Ring	EPDM
11	Set Screw	Steel
12	Signal Switch	Switch Assembly
13	Clip	Nylon
14	Sealing Ring	EPDM
15	Wire	Wire
16	Gasket	EPDM

Demensions

Gearbox	Value	A	B	C	D	E	F	G	H	M
24:1	2"-2½"	153	218	164	45	152	70	65	58	10 M8
24:1	3"	153	218	164	45	152	70	65	58	11 M8
24:1	4"-5"	153	218	164	45	152	70	65	58	14 M8
24:1	6"	153	218	164	45	200	70	65	58	16 M8
30:1	8"	210	232	205	63	300	102	79	67	19 M10
30:1	10"	210	232	205	63	300	102	79	67	22 M10
80:1	12"	249	284	120	350	125	118	110	24	M12