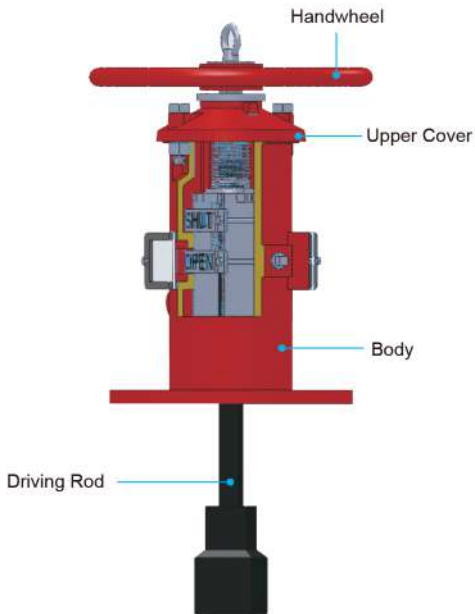


Technical Features

- Approvals: UL, FM.
- Conforms to UL 789 & FM 1110.
- Used to Operate a Valve Installed Behind the Wall



3D Picture



Operation Manual

- Adjust the length of the connecting rod according to the depth of gate valve and cut off the excessive part
- Install the indicator post to the wall
- Connect the indicator post and gate valve which is in the closed position
- Adjust the indicator to the position of "SHUT"

Material List

NO.	Name	Material
1	Joint	Cast Iron
2	Cotter Pin	Steel 1035
3	Driving Rod	Steel 1045
4	Main Body	Cast Iron
5	Indicator Plate	A413.0
6	Nut, Gasket	Steel 1035
7	Stud Bolt	Steel 1035
8	Position Bracket	Stainless Steel 304
9	Driver	Stainless Steel 304
10	Retainer Ring For Stem	1566
11	Upper Cover	Cast Iron
12	Handwheel	Cast Iron
13	Gasket	A283 Gr.C
14	Lift Ring	Steel 1035
15	Screw	Steel 1035
16	Nut	Steel 1035
17	Bolt	Steel 1035
18	Screwed Plug	Steel 1035
19	Bolt, Flat Gasket	Stainless Steel 304
20	Keyhole Plate	A283 Gr.C
21	Keyhole	Organic Glass
22	Keyhole Plate Gasket	EPDM

