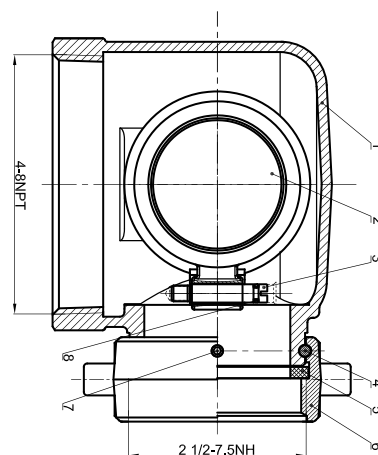




LF-FDCA

Fire Department Connection
 Angle Body, with caps & chain and plate
 Rated to 300PSI
 Size 4"x2-1/2"x2-1/2"
 UL listed and FM approval



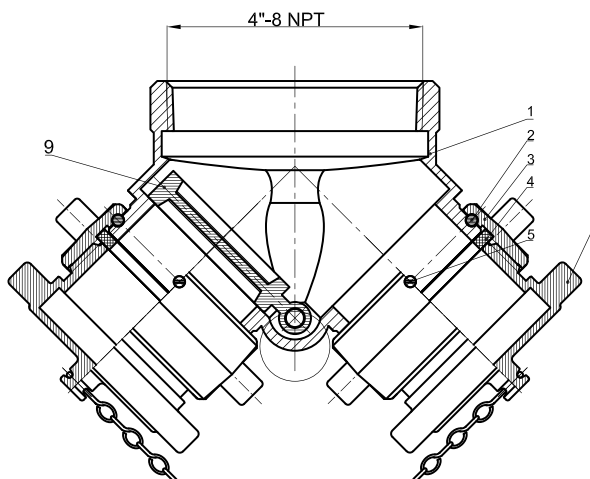
Material List

No	Description	Material
1	BODY	C37700
2	CLAPPER	C37700
3	HINGE PIN	C37700
4	BALL BEARING	SST304
5	SEALING	EPDM (A70±5)
6	COUPLING	C37700
7	SCREW	C46500/SST304
8	O-ring	EPDM (A70±5)



LF-FDCS

Fire Department Connection
 Straight Body, with caps & chain and plate
 Rated to 300PSI
 Size: 4"x2-1/2"x2-1/2"
 UL listed and FM approval



Material List

No	Description	Material
1	BODY	C37700
2	BALL BEARING	SST304
3	COUPLING	C37700
4	WASHER	EPDM (A70±5)
5	SCREW	C46500/SST304
6	BRASS CAP+CHAIN	C37700+BRASS/Q235A (copper coating)
7	HINGE PIN	C37700
8	O-RING	EPDM (A70±5)
9	CLAPPER	C37700
10	KEY-RING	SST304/Metal (copper coating)