



## Features

- Choice of fixed temperature/rate-of-rise 135°F or 190°F heat detector
- UL Listed spacing up to 60' by 60'
- 2 or 4 wire base compatibility, relay bases available
- Highly stable operation, RF/Transient protection
- Low standby current, 35µA nominal
- Two built-in power/alarm LED's for 360° viewing
- Fully electronic operation
- Power/alarm LED's confirm detector status
- Compatible with LIFECO LE-SLR-24V and LE-SIJ-24 detectors and their bases

## Operation

The LE-DCD-135/-190 fixed temperature/rate-of-rise heat detectors are suited to detect in the presence of slow or fast rising temperatures due to burning combustibles.

The construction of these models incorporate a thermistor heat element protected from damage by the built-in, durable plastic guard. These electronic heat detectors incorporate two power/alarm LED's for 360° indication of status. In standby condition the power LED's flash Green. In an alarm condition the LED's latch on Red. The LE-DCD-135/-190 electronic heat detection circuitry performs the same function as a Mechanical Device but with Electronic Precision. If the heat rise is less than 12°/minute the LE-DCD will not alarm until it reaches its alarm temperature (135° or 190° ± 7.5°F). If the heat rise is greater than 12°/minute the LE-DCD will alarm immediately giving an early warning signal and latching the Red alarm LED's on.

## Specifications

<b>Response</b>	Temperature 135° ± 7.5° Temperature 190° ± 7.5°F
<b>Supply Voltage</b>	17.7 - 30.0 VDC (4 Wire) 15.0 - 33.0 VDC (2 Wire)
<b>Supervisory Current</b>	40µA @ 24 VDC
<b>Surge Content</b>	160µA max. @ 24 VDC
<b>Alarm Current</b>	150mA max. @ 24 VDC
<b>Ambient Temperature</b>	32°F to 120°F (0°C to 49°C)
<b>Contact Rating</b>	N/O Contacts 150mA max. @ 24 V
<b>Color &amp; Case Material</b>	Bone PC/ABS blend
<b>Mounting</b>	Refer to the LE-NS Conventional Detector Base Data Sheet

## Applications

The LE-DCD-135/-190 fixed temperature/rate-of-rise heat detectors are suited for installation where high heat output fires are expected or in areas where ambient conditions would not allow use of other detection methods. Heat detectors are intended for protection of property. Do not rely on heat detectors for life safety protection. Where life safety is a concern, smoke detectors must also be used. A UL listed fire alarm panel must electronically supervise the LE-DCD-135/-190 heat detectors.

All NS conventional devices are mechanically compatible with LIFECO LE-HSB, LE-HSC and LE-YBA type bases. Please check individual panel listings for appropriate listed bases.

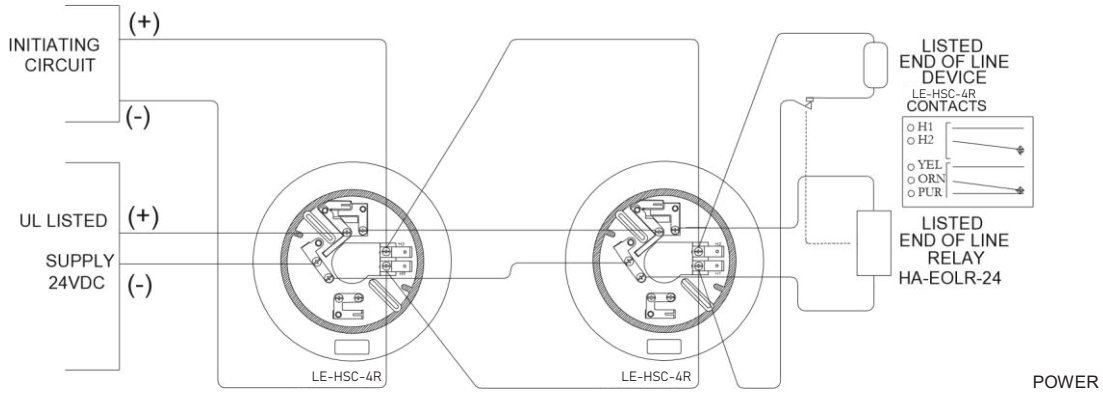
## Engineering Specifications

Automatic heat detectors where ambient temperatures do not exceed 120°F shall be the LE-DCD-135 fixed temperature/rate-of-rise heat detector rated at 135°F. For areas where ambient temperatures exceed 120°F, but not 160°F, the LE-DCD-190 fixed temperature/rate-of-rise heat detector rated at 190°F shall be used. Electrical contacts shall be normally open, rated at 150mA @ 24VDC.

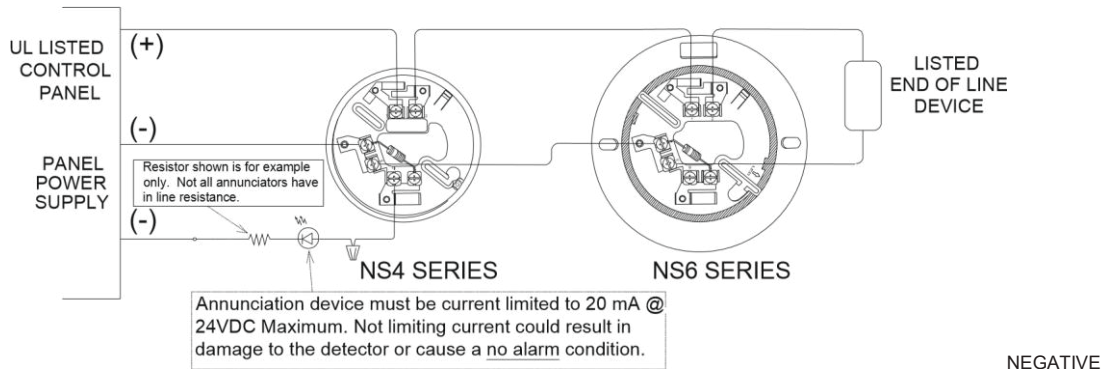
Heat detectors shall be installed in accordance with National Fire Protection Association Standard 72, the spacing assigned by Underwriters Laboratories and in accordance with the rules and regulations set forth by the local authorities having jurisdiction. Automatic heat detectors shall be Underwriters Laboratories listed

## Wiring Diagram

### 4-WIRE OPERATION



### 2-WIRE OPERATION



### 2-WIRE RELAY OPERATION

