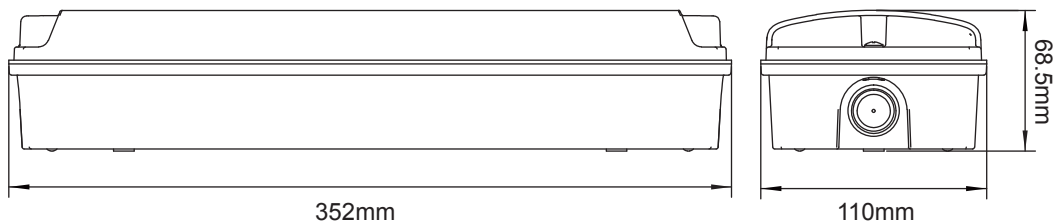


Installation manual

LF-LED-500C
LF-LED-500F



Warning note

Suitable for mounting on normally flammable surface. Green LED indicator indicates battery charging mode. Safety and Performance in accordance with UL-924. Suitable for indoor use, wall mounted.

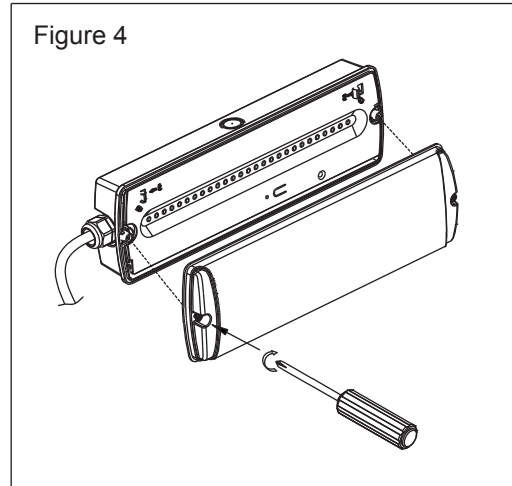
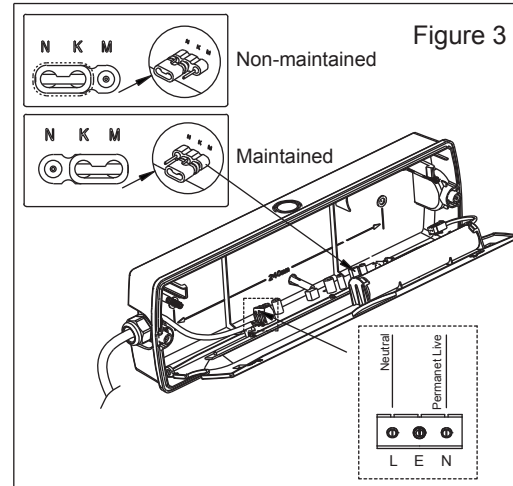
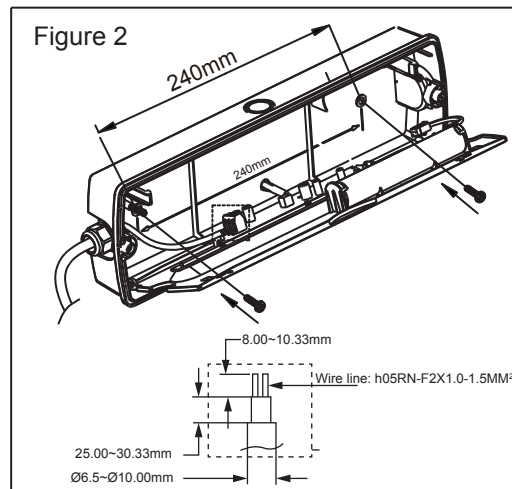
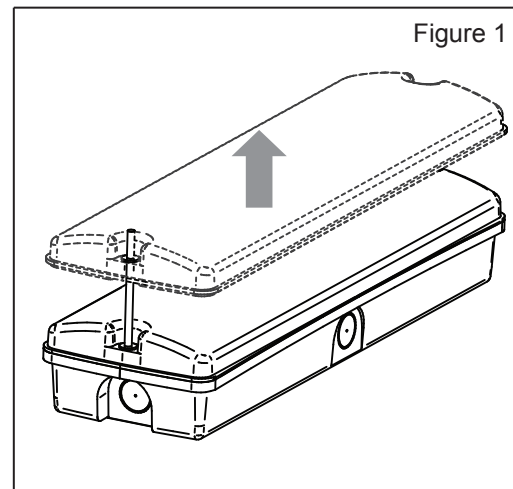
If the external flexible cable or cord of this luminaire is damaged, it shall be exclusively replaced by the manufacturer or his service agent or a similar qualified person in order to avoid a hazard. The battery is non-replaceable.

Installation: The installation shall be done by a qualified person.

Model list:

Model No.	LF-LED-500C	LF-LED-500F
Rated voltage	AC120-277V~, 50/60Hz	AC120-277V~, 50/60Hz
Operating mode	Maintained/Non- Maintained	Maintained/Non- Maintained
Rated wattage	5W/1.5W	5W/1.5W
LED	27PCS SMD*0.2W LED / 6000-6500k	27PCS SMD*0.2W LED / 6000-6500k
Discharge duration	3h	3h
Battery	Ni-Cd SC3,6V 1500mAh	Ni-Cd SC3,6V 1500mAh
Battery life	up to 4 years	up to 4 years
Power factor	N/A	N/A
Operating Temp Range	0°C-40°C	0°C-40°C
IP degree	IP65	IP65
Protection class	Class II	Class II
Dimensions	352mm×110mm×68mm	352mm×110mm×68mm
Weight	0.65kg	0.65kg
Max. mounting height	7.9ft (2.4m)	8.3ft (2.5m)
Warranty	2 years	2 years

Installation instruction diagram:



Installation instructions

The light source contained in this luminaire shall only be installed by the manufacturer or his service agent or a similar qualified person.

1. Switch off the electricity at the mains.
2. Remove the diffuser (Figure 1).
3. Body installation (Figure 2).
4. Electrical connection (Figure 3).
5. Attach diffuser (Figure 4).
6. Switch mains supply on.

Led replacement

The light source contained in this luminaire shall only be replaced by the manufacturer or his service agent or a similar qualified person.

1. Switch off the electricity at the mains.
2. Remove the diffuser.
3. Remove the screws on the gear tray, and open the fitting
4. Unplug the battery lead from the main board.
5. Unplug the LED lead from the PCB board.
6. Unplug the LED PCB from the gear tray.
7. Change the LED Module based on the module name on module PCB

TESTING:

The luminaire must be inspected and tested regularly in accordance with local Codes of practice, **Note:** for security tests should be carried out during day light hours.

Should be done by a qualified person in dry environment.

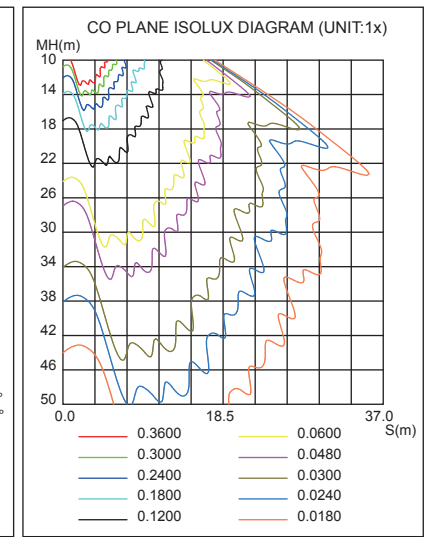
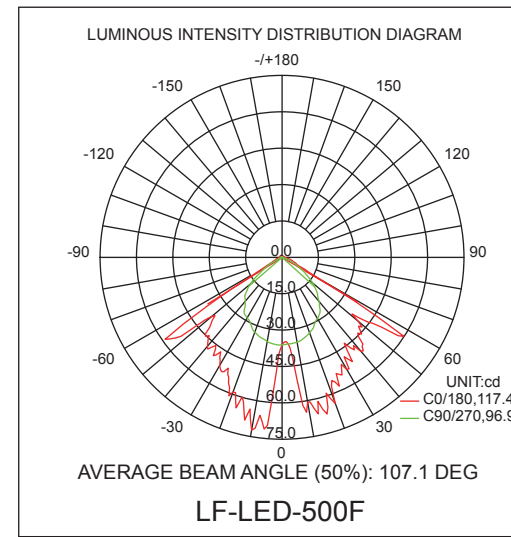
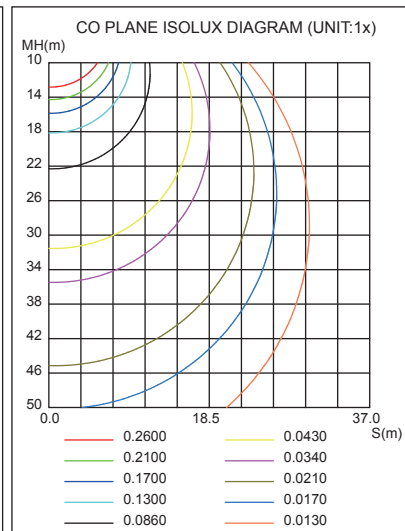
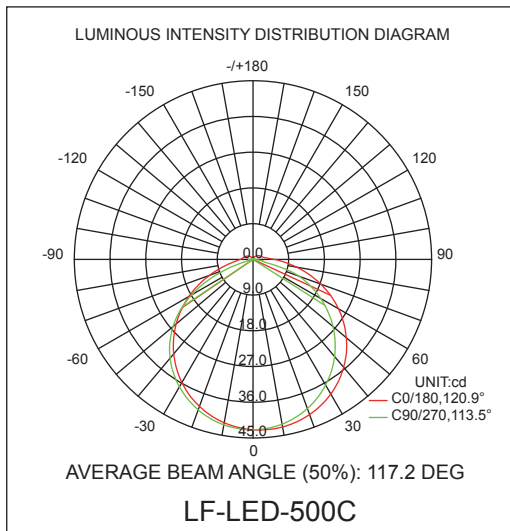
Move the plastic diffuser, press the test button to simulate failure of AC power, the luminaire should be on and battery back up.

The minimum recommended test schedule is As follows: After installation allow 36 hours to ensure full battery charge and then interrupt The supply, check after 3 hours that luminaire is still lighting.

1. Daily check that charge indicator LED is working.
2. Monthly turn to AC power for a short period and check LED lights.
3. Semi-annual, Check 1 hour duration.
4. At the end of year and subsequently every year, Check 3 hour duration, Batteries: must be replaced when they can no longer support 3 hour operation.
5. Complete record Sheet on installation and retain file.
6. Update file with ongoing test records for inspection by fire officer or other daily authorized person



This marking indicates that this product should not be disposed with other household wastes throughout the EU. To prevent possible harm to the environment or human health from uncontrolled waste disposal, recycle it responsibly to promote the sustainable reuse of material resources. To return your used device, please use the return and collection systems or contact the retailer where the product was purchased. They can take this product for environmental safe recycling.



Installation and maintenance Record:

Installer _____

Installation _____

Type _____

Installation test duration & Date _____

Month	Test	1 st Year		2 nd Year		3 rd Year		4 th Year		5 th Year	
		Signed	Date	Signed	Date	Signed	Date	Signed	Date	Signed	Date
1	Short										
2	Short										
3	Short										
4	Short										
5	Short										
6	1 Hr.										
7	Short										
8	Short										
9	Short										
10	Short										
11	Short										
12	1 Hr.										
	3Hr.										