



Valve Standard

Conforms to AWWA C515 / BS5163

Fusion bonded coating comply with AWWA C550

Sizes

2", 2.5", 3", 4", 5", 6", 8", 10", & 12"

Working Pressure

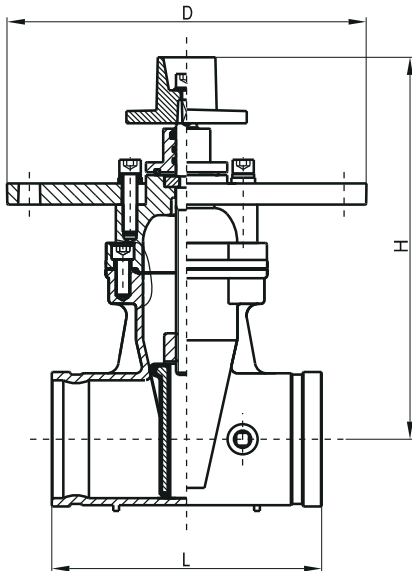
300 PSI

Working Temperature

-10°C to 120°C

Connection Ends

AWWA C 606

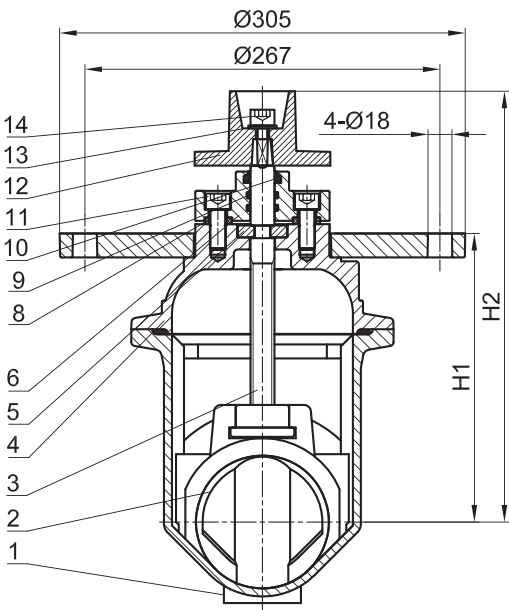
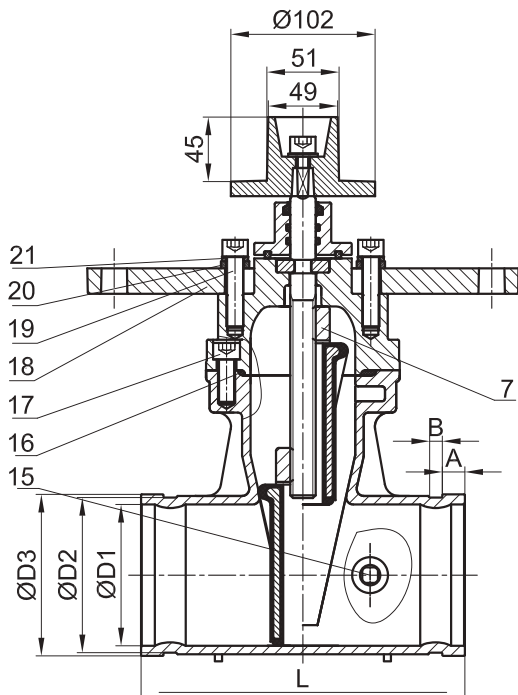


Materials List

Part Name	Material	Specification
Body	Ductile Iron	A536 65-45-12
Wedge Disc	Ductile Iron EPDM Coated	
Disc Nut	Bronze	ASTM B62
Stem	Stainless Steel	AISI 304/420
Gasket	EPDM	Commercial
Bonnet	Ductile Iron	A536 65-45-12
Thrust Collar	Bronze	ASTM C51100
Gland	Ductile Iron	A536 65-45-12
Wrench Nut	Ductile Iron	A536 65-45-12
Post Plate	Ductile Iron	A536 65-45-12

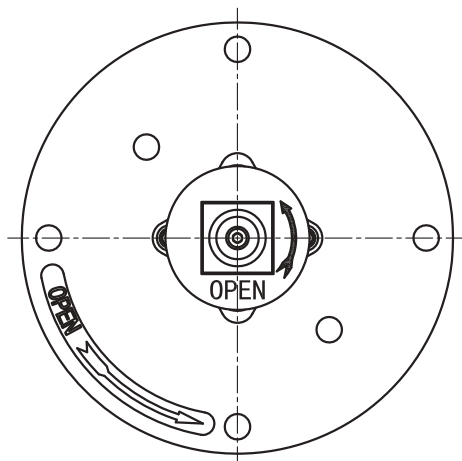
Dimensions (mm/inch)

SIZE	mm	50	65	80	100	125	150	200	250	300
	inch	2	2 1/2	3	4	5	6	8	10	12
L	mm	178	191	203	229	254	267	292	330	356
	inch	7.00	7.50	8.00	9.00	10.00	10.50	11.50	13.00	14.00
H	mm	279	279	305	324	394	428	537	640	723
	inch	10.98	10.98	12.01	12.76	15.51	16.85	21.14	25.20	28.46
D	mm	305	305	305	305	305	305	305	305	305
	inch	12.01	12.01	12.01	12.01	12.01	12.01	12.01	12.01	12.01



SIZE	DN50	DN65	DN80	DN100	DN125	DN150	DN200	DN250	DN300
L	178	191	203	229	254	267	292	330	356
H1	173	173	193	217	278	312	397	492	578
H2	279	279	305	324	394	428	537	640	723
A	15.9	15.9	15.9	15.9	15.9	15.9	19	19	19
B	8	8	8	9.5	9.5	9.5	11	12.7	12.7
ØD1	50	65	80	100	125	150	200	250	300
ØD2	57	68.9	84.7	109.8	136.8	163.7	214.1	268	317.9
ØD3	60.3	73	88.9	114.3	141.3	168.3	219.1	273	323.9
Open the number of turns	10	13	16	20	25	30	20	25	30

ITEM	NAME	MATERIAL
21	SPRING WASHER	CARBON STEEL GALVANIZATION
20	WASHER	CARBON STEEL GALVANIZATION
19	HEX.SOCKET CAP SCREW	GR 8.8
18	POST FLANGE	ASTM A536 65-45-12
17	HEX.SOCKET CAP SCREW	GR 8.8
16	GASKET	EPDM
15	PLUG	ASTM SS304
14	HEX.SOCKET CAP SCREW	GR 8.8
13	WASHER	ASTM SS304
12	WRENCH NUT	ASTM A536 65-45-12
11	HEX.SOCKET CAP SCREW	GR 8.8
10	DUSTPROOF COVER	EPDM
9	O-RING	EPDM
8	SEAT RING	EPDM
7	DISC NUT	ASTM B62
6	GLAND	ASTM A536 65-45-12/ASTM A351 CF8
5	THRUST COLLAR	ASTM C51100
4	BONNET	ASTM A536 65-45-12
3	STEM	AISI SS304
2	WEDGE	ASTM A536 65-45-12+EPDM
1	BODY	ASTM A536 65-45-12



Note:

1. Joint: GROOVED AWWA C606;
2. Working temperature: -10°C~120°C;
3. Design standard: AWWA C515;
4. Working pressure: 300PSI.

Pressure Temperature Chart

