

Available for Onshore and Offshore Applications.

Manufactured in Accordance with NFPA 20 Requirements.

Designed for use with UL/FM Approved Fire Pump Pressure Relief Valve



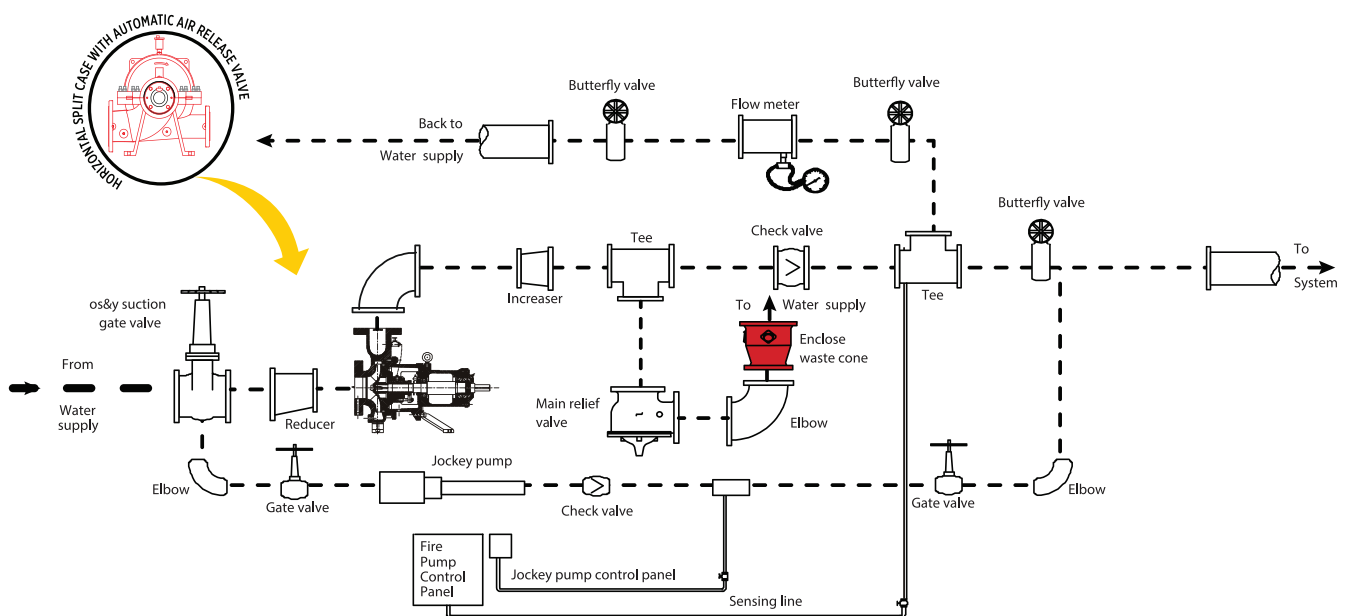
MATERIAL CONSTRUCTION:

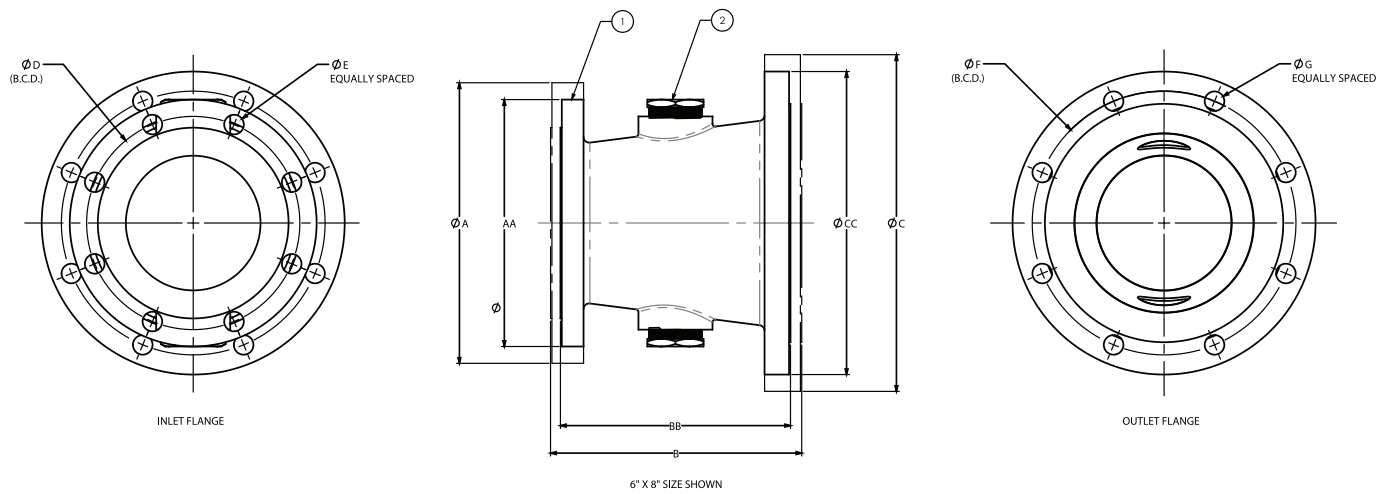
Material: High Quality Carbon Steel

Painting: Red Powder Coating

Flanges: Class 150

(SS material and Class 300 Flange available upon request).





SIZE INLET X OUTLET	PRESSURE CLASS	A	AA	B	BB	C	CC	D (B.C.D)	E	NUMBER OF HOLES (INLET)	DIAMETER OF BOLTS (INLET)	F	G	NUMBER OF HOLES (OUTLET)	DIAMETER OF BOLTS (OUTLET)
3" x 4"	150LB	-	7.50	-	8.07	-	9.05	6.000	.750	4	.625	9.500	.875	8	.750
	300LB	8.25	-	8.60	-	10.00	-	6.625	.875	8	.750	7.875	.875	8	.750
3" x 6"	150LB	-	7.50	-	9.00	-	11.00	6.000	.750	4	.625	9.500	.875	8	.750
	300LB	8.25	-	9.69	-	12.00	-	6.625	.875	8	.750	10.625	.875	12	.750
4" x 6"	150LB	-	9.00	-	9.00	-	11.00	7.500	.750	8	.625	9.500	.875	8	.750
	300LB	10.00	-	9.75	-	12.00	-	7.875	.875	8	.750	10.625	.875	12	.750
4" x 8"	150LB	-	9.00	-	10.25	-	13.50	7.500	.750	8	.625	11.750	.875	8	.750
	300LB	10.00	-	11.06	-	15.00	-	7.875	.875	8	.750	13.000	1.000	12	.875
6" x 8"	150LB	-	11.00	-	10.25	-	13.50	9.500	.875	8	.750	14.250	.875	12	.750
	300LB	12.50	-	11.19	-	15.00	-	10.625	.875	12	.750	13.000	1.000	16	.875
6" x 10"	150LB	-	11.00	-	11.50	-	16.00	9.500	.875	8	.750	14.250	1.000	12	.875
	300LB	12.50	-	12.63	-	17.00	-	10.625	.875	12	.750	15.250	1.250	16	1.000
8" x 10"	150LB	-	13.50	-	11.96	-	19.00	11.750	.875	8	.750	17.000	1.000	12	.875
	300LB	15.00	-	13.18	-	17.00	-	10.625	.875	12	.750	15.250	1.250	16	1.000
8" x 12"	150LB	-	13.50	-	13.00	-	19.00	11.750	.875	8	.750	17.000	1.000	12	.875
	300LB	15.00	-	14.25	-	20.50	-	13.000	1.000	12	.875	17.750	1.125	16	1.125