

Feature and Benefits

- EN54-3 Compliance
- Built-in MCU processor and digital addressing
- 17 tones Programmable sound output
- Programmable Evacuate or Pre-alarm/Evacuate signal
- Low and normal consumption mode
- One or Two addresses mode
- Onsite Adjustable Parameters
- Loop or external power input
- Aesthetically pleasing design
- Universal mounting with fix base for simple installation



Overview

The LF-X5320 Addressable Sounder is alarm warning device used to notify persons in the vicinity of the occurrence fire emergency in order the person to take appropriate measures. The unit adopt multi-application device starting from the types, parameters and wiring layout in single unit. Parameters can be configured according to the requirement which include alarm tone from 17 different tones, single address or dual address mode and also setting of power mode to low current consumption in a simple programing.

The unit manufactured base on the requirement of EN 54 part 3, European Standard. The unit is aesthetically pleasing with unobtrusive design that will complement modern building designs and its plug-in type assembles make installation and maintenance more convenient to the installer. The unit is compatible to the LF-X500 Analogue Intelligent Fire Alarm Control Panel, produced by single manufacture LIFECO, to avoid addressable communication compatibility problem.

Technical Specification

Listed	LPCB Pending
Compliance	EN54-3
Input Voltage	Loop Power: 24VDC [18V to 27.5V] External PSU: 24VDC [20V to 27.5V]
Typical Current	Loop: Standby 0.6mA, Alarm: 1.5mA
[Loop and External PSU]	External PSU: Standby 0.6mA, Alarm: 12mA
Saving Current	Standby 1.2mA, Alarm: 7mA
[Loop powered]	
Protocol/Addressing	LIFECO, Value range from 1 to 254
Address Sequence	Single Address: Evacuate tone Dual Address: 1st Alert Tone / 2nd Evacuate tone
Material / Colour	ABS / RED Glossy finishing
Dimension / Height	Diameter 110 mm / 39.6 (with Base)
Weight	180g (with Base), 114g (without Base)
Class	Type A, Indoors
Operating Temperature	-10°C to +50°C
Ingress Protection Rating	IP21
Humidity	0 to 95% Relative Humidity, Non condensing

Sounder and Wiring Details

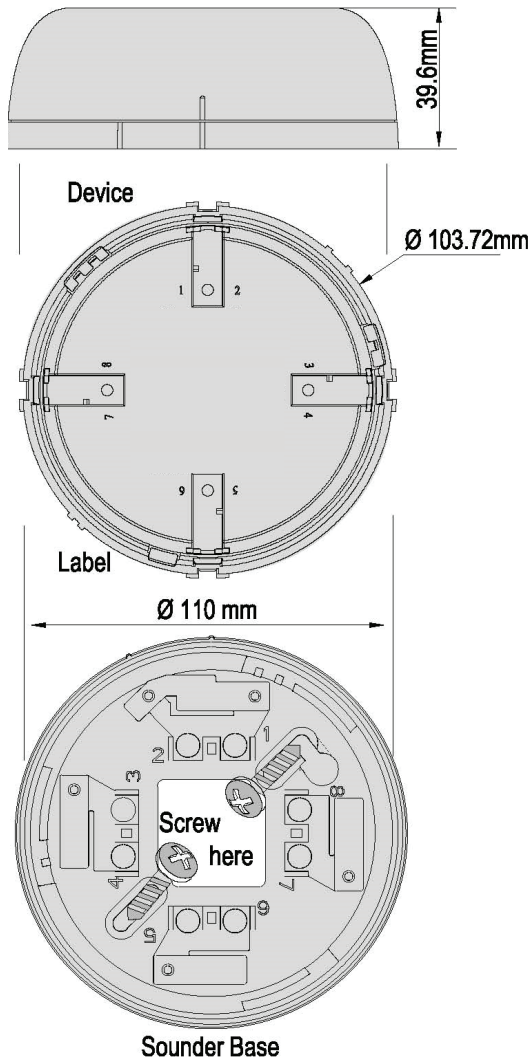


Figure 1

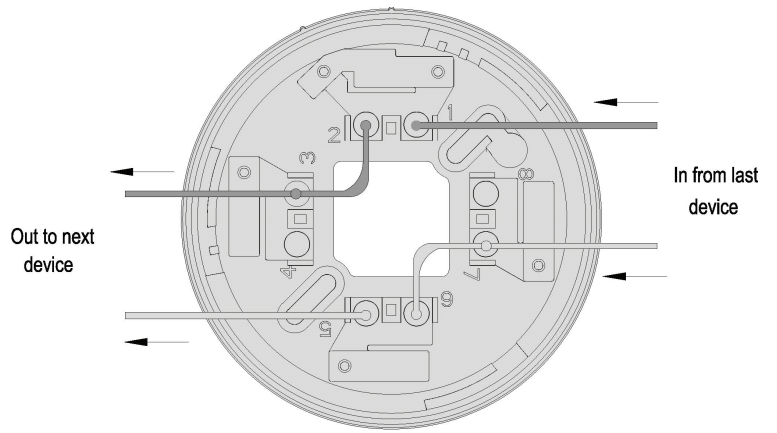


Figure 2: Loop Powered

Terminal Description

- 1. Signal In (+)
- 2. Signal Out (+)
- 3. External PSU In (+) Optional
- 4. External PSU Out (+) Optional
- 5. Signal In (-)
- 6. Signal Out (-)
- 7. External PSU In(-) Optional
- 8. External PSU Out (-) Optional

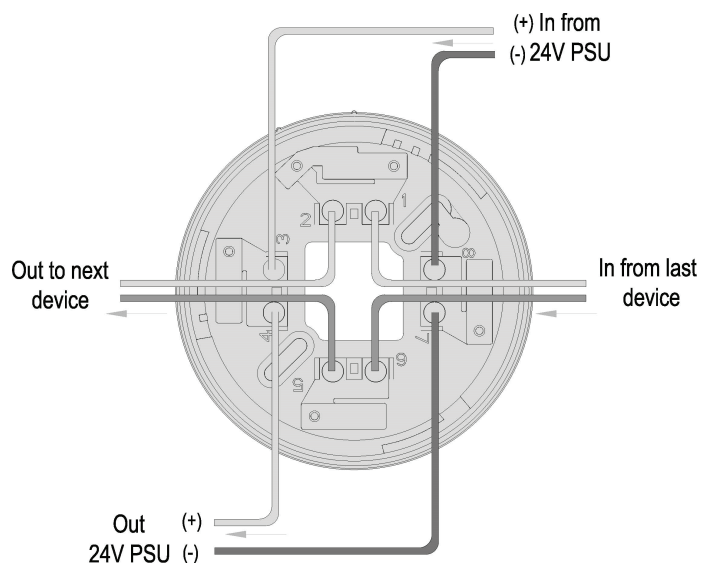


Figure 3: With External Supply