



LE-NS6 and LE-NS4 Series Base

NS Series Bases	Alarm Current
LE-NS6-220 OR LE-NS4-220	93mA@136mA - 33.0V MAX)
NS4-100 & NS6100	150mA@15.0 - 33.0V max



LE-HSC-220R Relay Base & LE-HSC-4R 4 Wire Base

2 Wire Auxiliary Relay Bases	Alarm Current
LE-HSC-220R	88mA (98mA @ 26.5V MAX)
4 Wire Base	Alarm Current
LE-HSC-4R	43mA (58mA @ 30.0V MAX)



LE-HSC-220L Latching LED Base

2 Wire Latching	Alarm Current
LE-HSC-220L	67-80mA @ 24V (88.5mA @ 26.5V DC MAX)

The LE-NS6 and LE-NS4 series bases are designed specifically for use with LIFECO's conventional models:

- Photoelectric smoke detectors: LE-SOC-24V, LE-SOC-24VN, LE-SLR-24V, LE-SLV-24N, LE-SLV-24V, LE-SLR-24H
- Fixed temperature/rate-of-rise heat detector: LE-DCD-135/190

The LE-NS6 base is an electronics free 6" base featuring a plastic tamper- lock lug. Each base is equipped with a resistor. Please refer to the chart (left) for additional specifications. The LE-NS4 base is a 4" version of the LE-NS6 base.

LE-HSC-220R is designed specifically for use with the LIFECO conventional models LE-SOC-24V, LE-SOC-24VN, LE-SLR-24H, LE-SLR-24V, LE-SLV-24N, LE-SLV-24V, LE-DCD-135/190. The LE-HSC-220R is a 6" base with two sets of Form "C" relay contacts.

LE-HSC-220R is approved for use with LIFECO's previous conventional model LE-DFE 135/190.

The LE-HSC-4R is designed specifically for 24 volt 4 wire applications using LIFECO conventional models LE-SOC-24V, LE-SOC-24VN, LE-SLR-24H, LE-SLR-24V, LE-SLV-24N, LE-SLV-24V, or LE-DCD-135/190. The 6" diameter base is current limited. Relay contact place a direct short circuit across the loop when the detector is actuated.

Model LE-HSC-4R is also approved for use with LIFECO's previous conventional model LE-DFE 135/190.

The LE-HSC-220L base is designed specifically for use with the LIFECO fixed temperature heat detectors (models LE-DFE-135/190)

The LE-HSC-220L series is a 6" base featuring a current limiting resistor, latching annunciator output and a latching circuit so the alarm LED will remain lit until the control panel has been reset.

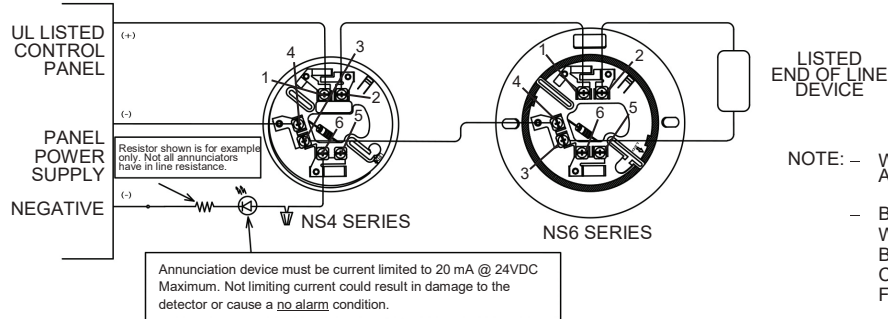
Bases are available in bone or white to match the detector. Bone (offwhite) is the standard color for detectors and bases for most applications.

Base	Box Mounting		
	3" OCT	4" OCT	4" SQR
NS4-BASE	Yes	No	No
NS6-BASE	No	Yes	Yes
HSC-BASE	No	Yes	Yes

Conventional Detector Bases

LE-NS4 AND LE-NS6 SERIES BASE

2-WIRE OPERATION



LISTED
END OF LINE
DEVICE

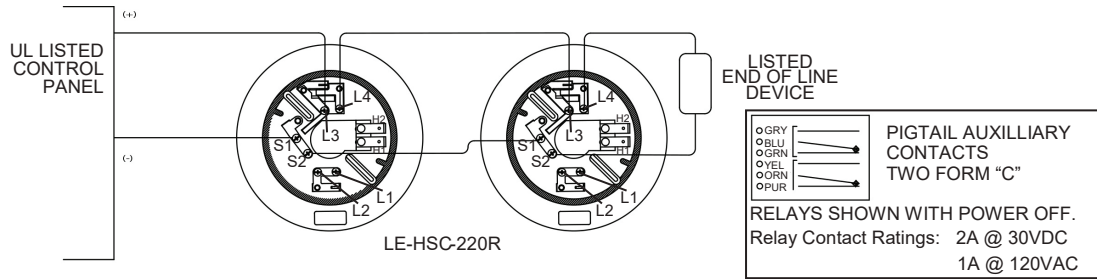
NOTE: – WIRING TERMINALS FOR THE NS4 AND NS6 ARE IDENTICAL

– BASES ARE AVAILABLE IN BONE OR WHITE TO MATCH THE DETECTOR. BONE (OFF WHITE) IS THE STANDARD COLOR FOR DETECTORS AND BASES FOR MOST APPLICATIONS.

– BASES WITH THE “W” SUFFIX ARE WHITE IN COLOR

LE-HSC-220R RELAY BASE

2-WIRE OPERATION



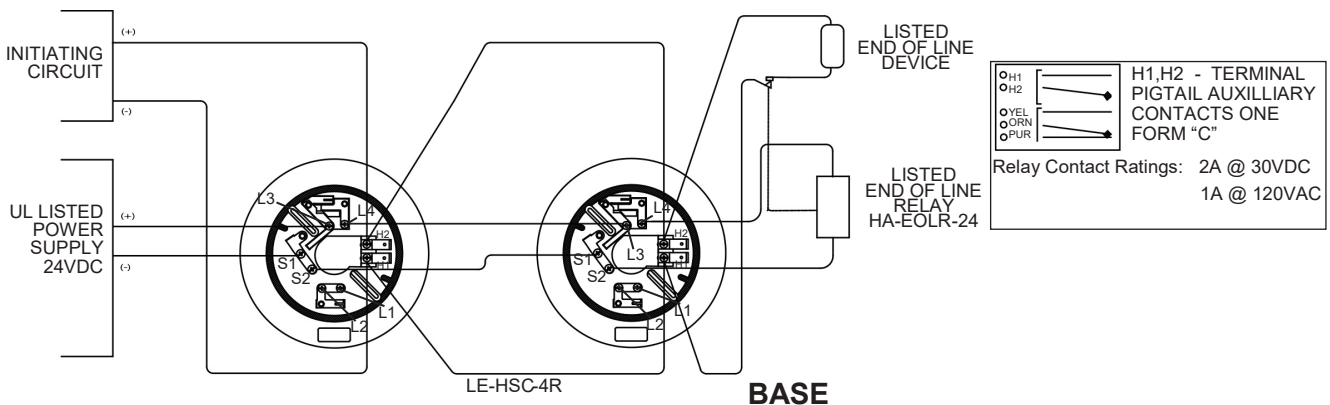
LISTED
END OF LINE
DEVICE

○H1	→	H1,H2 - TERMINAL PIGTAIL AUXILLIARY CONTACTS ONE FORM “C”
○H2	→	
○YEL	→	
○ORN	→	
○PUR	→	

Relay Contact Ratings: 2A @ 30VDC
1A @ 120VAC

LE-HSC-4R FOUR WIRE BASE

4-WIRE OPERATION

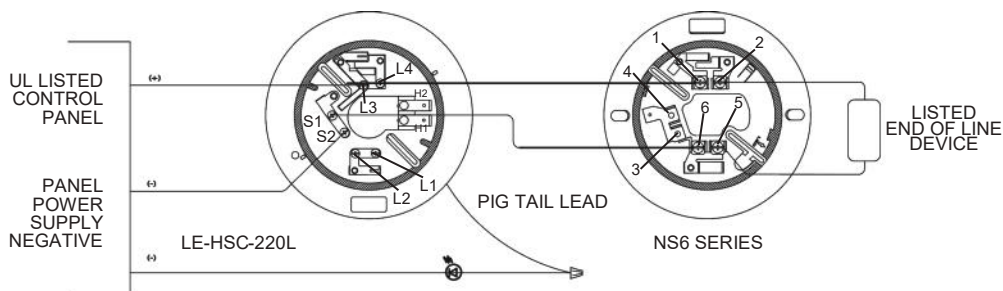


LISTED
END OF LINE
DEVICE

LISTED
END OF LINE
RELAY
HA-EOLR-24

LE-HSC-220L LATCHING LED

2-WIRE OPERATION



LISTED
END OF LINE
DEVICE

We try to keep our product information up-to-date and accurate. However, we cannot cover all specifications or anticipate all requirements. For additional information please contact info@lifeco-uk.com