

Features

- Aluminium alloy construction,hard coated anodized;
- Jetting Pattern: Straight stream,Fog;
- Flange standard: ANSI150.



Technical Parameter

Model Number	LF-OFWM-12	LF-OFWM-18	LF-OFWM-24	LF-OFWM-S
Flow Rate	1200 LPM	1800 LPM	2400 LPM	1200-1800-2400 LPM Selectable
Working Pressure	8 Bar	8 Bar	8 Bar	8 Bar
Max. Reach @ 8 bar	45 meters	55 meters	60 meters	60 meters
Max. Fog Angle	120°			
Max Range Of Motion	-45° to +75° Vertically, 360° Rotation			
Waterway Size	2.5"(65mm)			
Monitor Outlet	2.5"(65mm) NH male thread			
Monitor Inlet	Flange 3" BS4504 is standard (other sizes & standards are available)			
Material	Monitor & Nozzle - Hard coated anodized aluminiumalloy Tiller - SS304 Stainless steel			

Features

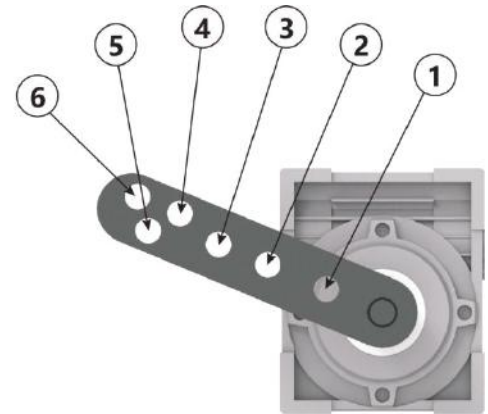
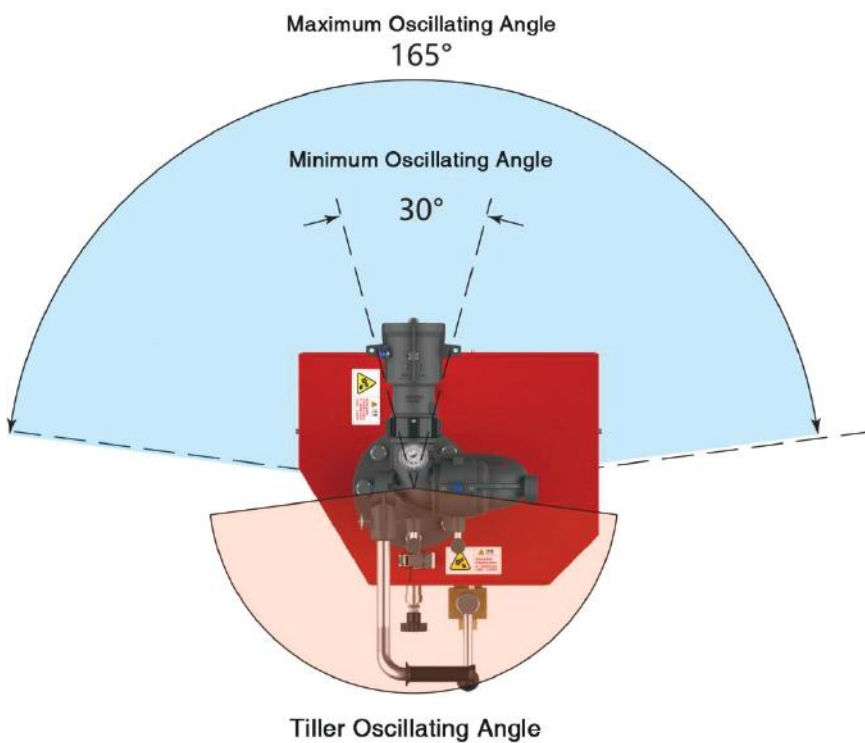
- Aluminium alloy construction,stainless steel cover;
- Easily transforms a manual monitor to a oscillating monitor;
- Totally water-powered,without any electricity power;
- Oscillating angle adjustable;
- 4 inch inlet and outlet flange;
- Flange standard: BS4504,ANSI150,GB,etc.



Technical Parameter

Model Number	
Minimum W.Pressure	2.8 bar
Maximum W.Pressure	14 bar
Minimum Flow Rate	600 LPM
Maximum Flow Rate	4800 LPM
Oscillating Angle	30° /60° /90°/120°/140°/165° Adjustable
Oscillating Speed	3 round per minute
Inlet & Outlet	4" DN100 BS4504 is standard, 3" DN80 and other standard available
Weight	Approx. 25 KGS
Material	Body - Hard coated anodized aluminium alloy Cover - SS304 Stainless steel
Color	Red/Yellow/Natural stainless steel

Oscillating Angle



Number	Oscillating Angle
1	30°
2	60°
3	90°
4	120°
5	140°
6	165°