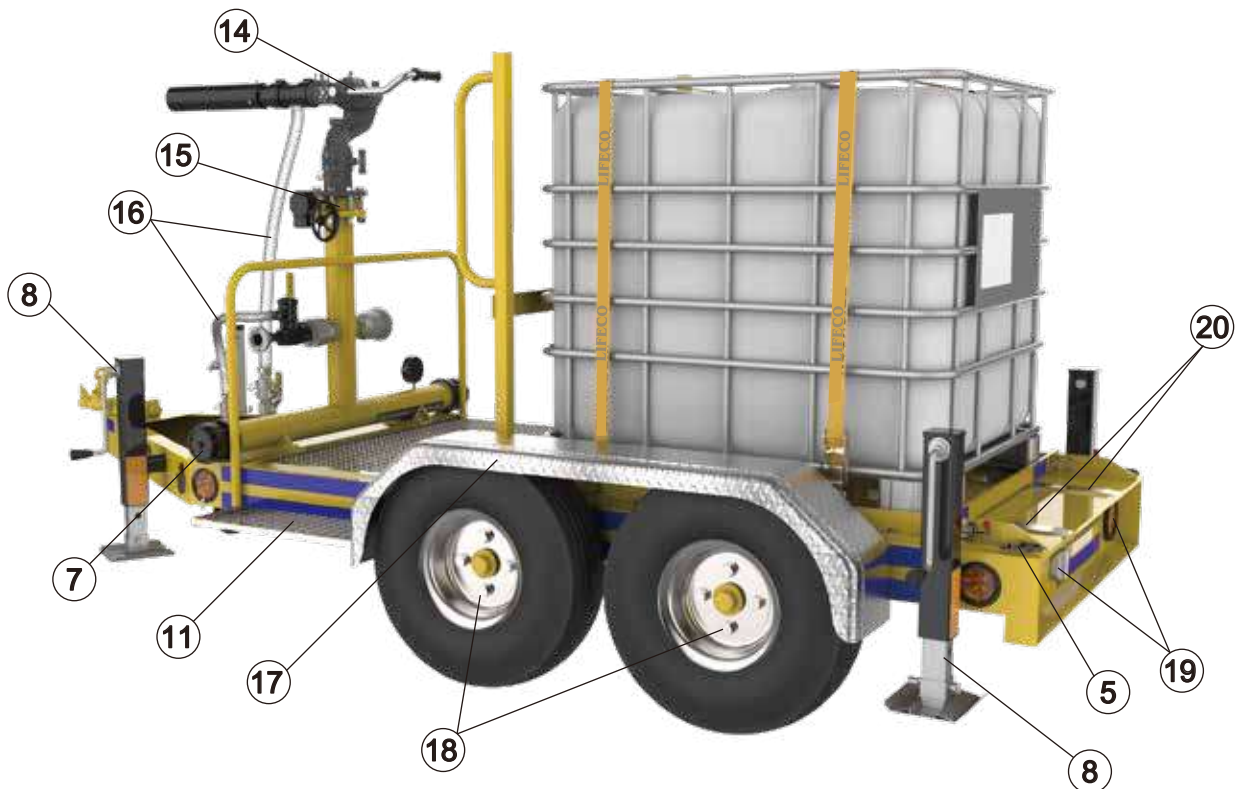
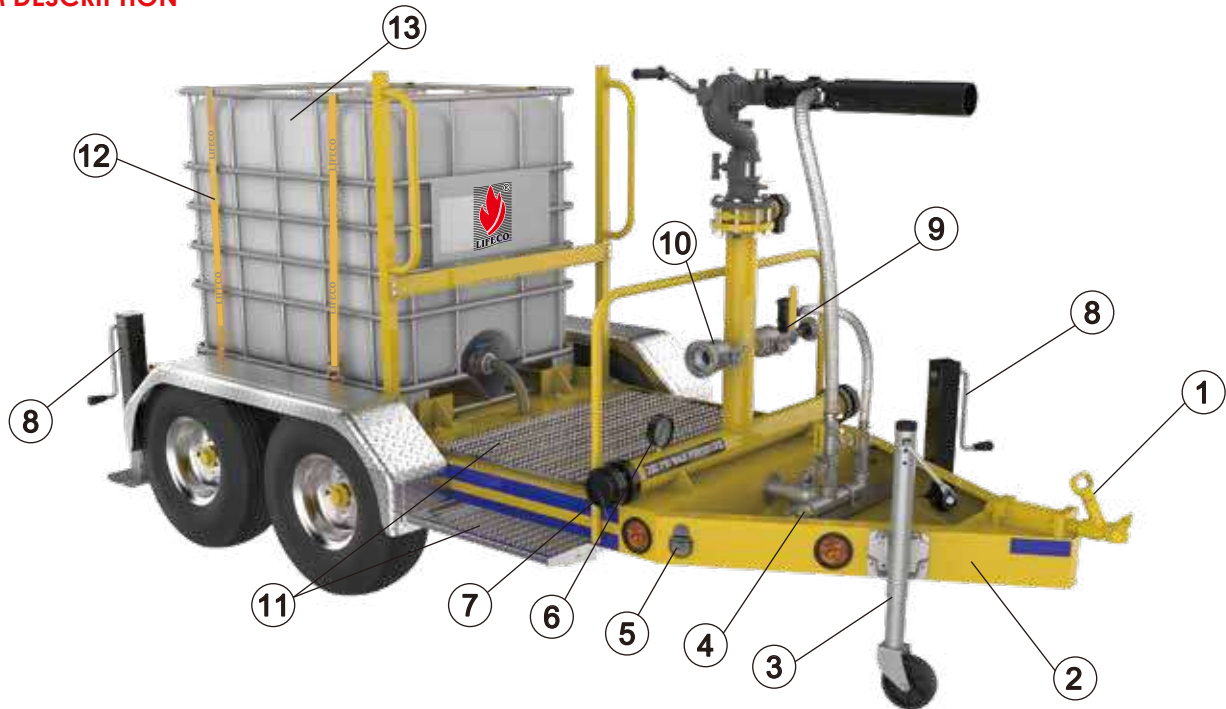


LIFECO FOAM MONITOR TRAILER

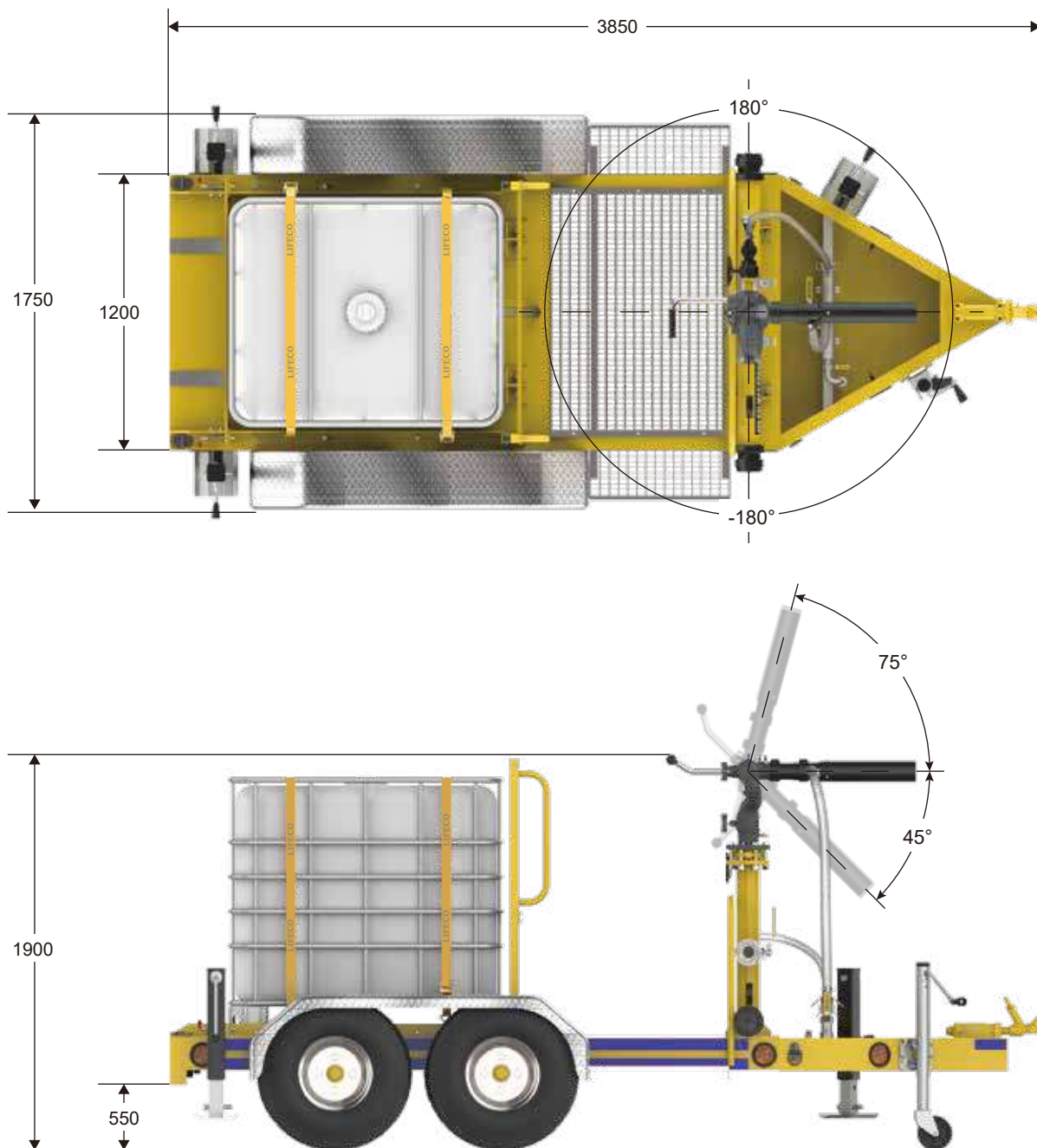


SYSTEM DESCRIPTION



- | | | | |
|----|--|----|---|
| 1 | Hand brake and towing | 11 | Non slip decking |
| 2 | Frame and accessories painted YELLOW RAL 1023 | 12 | Restraining straps and mounting platform for IBC |
| 3 | Manual jockey wheel | 13 | 1000 litre IBC foam container with foam resistant plastic body |
| 4 | Drain valve | 14 | LF-WFM-11 Fire monitor |
| 5 | D-rings | 15 | Gate valve DN80 |
| 6 | Pressure gage | 16 | Foam suction hose and connection to self inducing monitor nozzle/cannon |
| 7 | Water inlet single 80mm (3") Storz coupling (alternative inlets available) | 17 | Mudguards |
| 8 | Manual stabilisation jacks with folding handles | 18 | Pneumatic tyre |
| 9 | Foam inductor | 19 | Road going lights at rear |
| 10 | Outlet valve | 20 | Slide bar |

OUTLINE DIMENSIONS



LF-WFMT trailer mounted monitor Outline Dimensions (MM)

The LIFECO LF-WFMT trailer mounted monitor is designed to provide a mobile monitor capable of projecting fire fighting foam over a distance of 50 m* (180 ft). The unit can be supplied with a range of self inducing branchpipe nozzles(fog/jet optional) and aspirating foam cannons with flows from 500 to 2400 l/min*. The total assembly can be towed to site behind a fire tender or 4 x 4 and rapidly deployed using a local water supply. Applications include protection of tanks and plant sited over a wide area and where it is necessary to lift and direct a jet of foam over obstacles or over long distances.

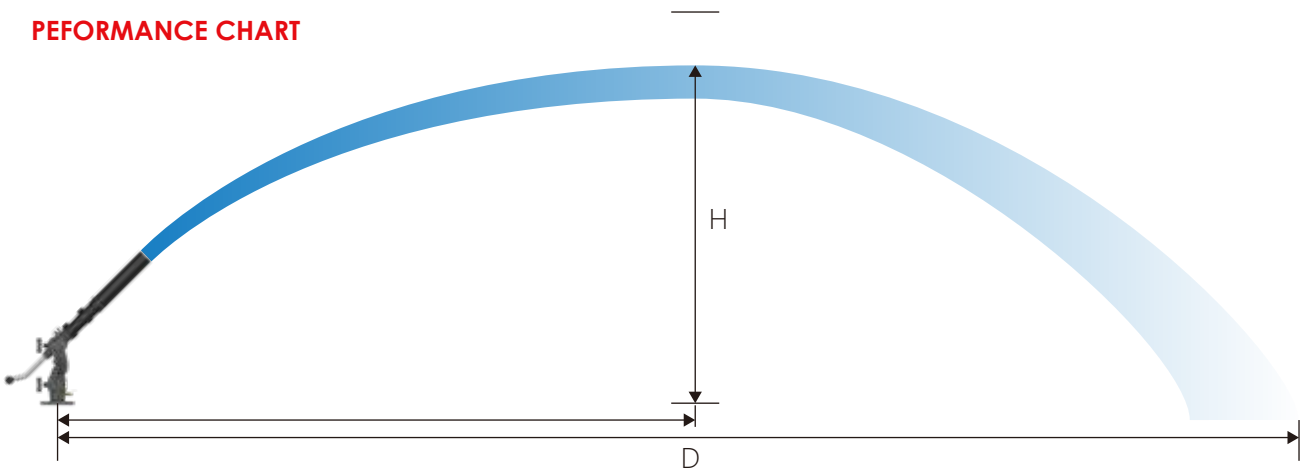
TECHNICAL SPECIFICATION

The LIFECO LF-WFM-11 Monitor is made of aluminum body with casting longitudinal separators to reduce internal turbulence. Twin rotation joints in the vertical and horizontal planes allowing the direction to be adjusted. Adjustment of the operating angle is achieved in both the vertical and horizontal planes via a hand tiller or lever and locking nuts on stainless steel shafts.

- Inlet flange 3" DN80
- Outlet 2½" NH
- Self aspiration foam branchpipe
- Self aspiration fog/jet nozzles(optional)
- Self inducing (3% or 6%)
- Flows available: 1200 & 1800 & 2400 L/min
- Rated working pressure: 8bar (120PSI)



PERFORMANCE CHART



Throw and Height Data						
Inlet pressure to monitor		6 bar	7 bar	8 bar	9 bar	10bar
Flow l/min		1550	1600	2000	2200	2300
Angle						
Throw "D"	35°	43m	47m	50m	54m	58m
Height "H"	35°	12m	13m	14m	15m	16m
Throw "D"	45°	42m	45m	48m	52m	56m
Height "H"	45°	15m	16m	18m	19m	20m
Throw "D"	55°	36m	40m	44m	47m	49m
Height "H"	55°	20m	23m	25m	26m	27m
Throw "D"	65°	28m	31m	34m	36m	38m
Height "H"	65°	25m	28m	30m	31m	32m

Note: The throw and height data above is mathematically extrapolated from experimental tests using foam in still air. Figures may vary widely with wind conditions and other factors such as foam quality and equipment condition.